



ANDROS

A range of exterior aluminium base mounted bollard luminaires. Manufactured from die-cast aluminium and fitted with an impact resistant clear polycarbonate diffuser and integral louvre stack. Andros is fully gasketed and sealed to IP65 and is available with choice of lamp options.

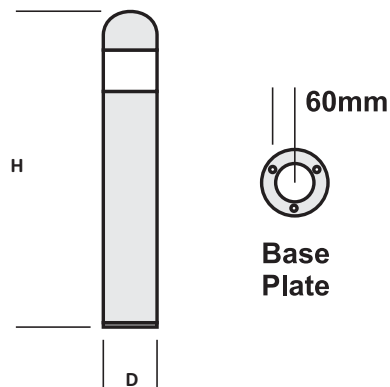
FEATURES

- IP65 rated, robust die-cast aluminium housing
- Fitted with an impact resistant clear polycarbonate diffuser and integral louvre stack
- Available with a range of lamp options
- Fitted with a detachable head to allow access to lamp and control gear for ease of maintenance
- Supplied complete with flat mounting plate as standard

ORDER DETAILS




Order Code	Description	Lamp Type & Rating	Gear	Weight (kg)
AND70MH	Andros 985x175mm	1x70W MH	MAG	8.1
AND70S	Andros 985x175mm	1x70W SON	MAG	8.1
AND42PLT	Andros 985x175mm	1x42W PLT	HF	8.1

DIMENSIONS



Dia	H
175	985

TECH DETAILS

Gear	High Frequency or Magnetic	
Lamp Type		HQI-E
Lamp Type		SON
Lamp Type		PLT

MATERIALS AND FINISHES

Body	Die-cast Aluminium
Controller	Clear Polycarbonate Lens and Louvre Stack
Finish	Black

