



Installation Guide - LCM

EDUCATION



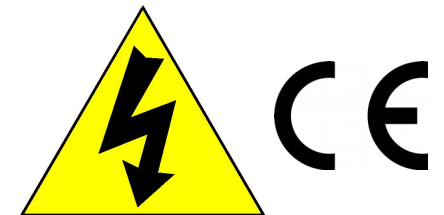
All  Education Guides are downloadable from the Apollo website: [www.apollolighting.co.uk/genius/genius\\_education/](http://www.apollolighting.co.uk/genius/genius_education/)

**WARNING**

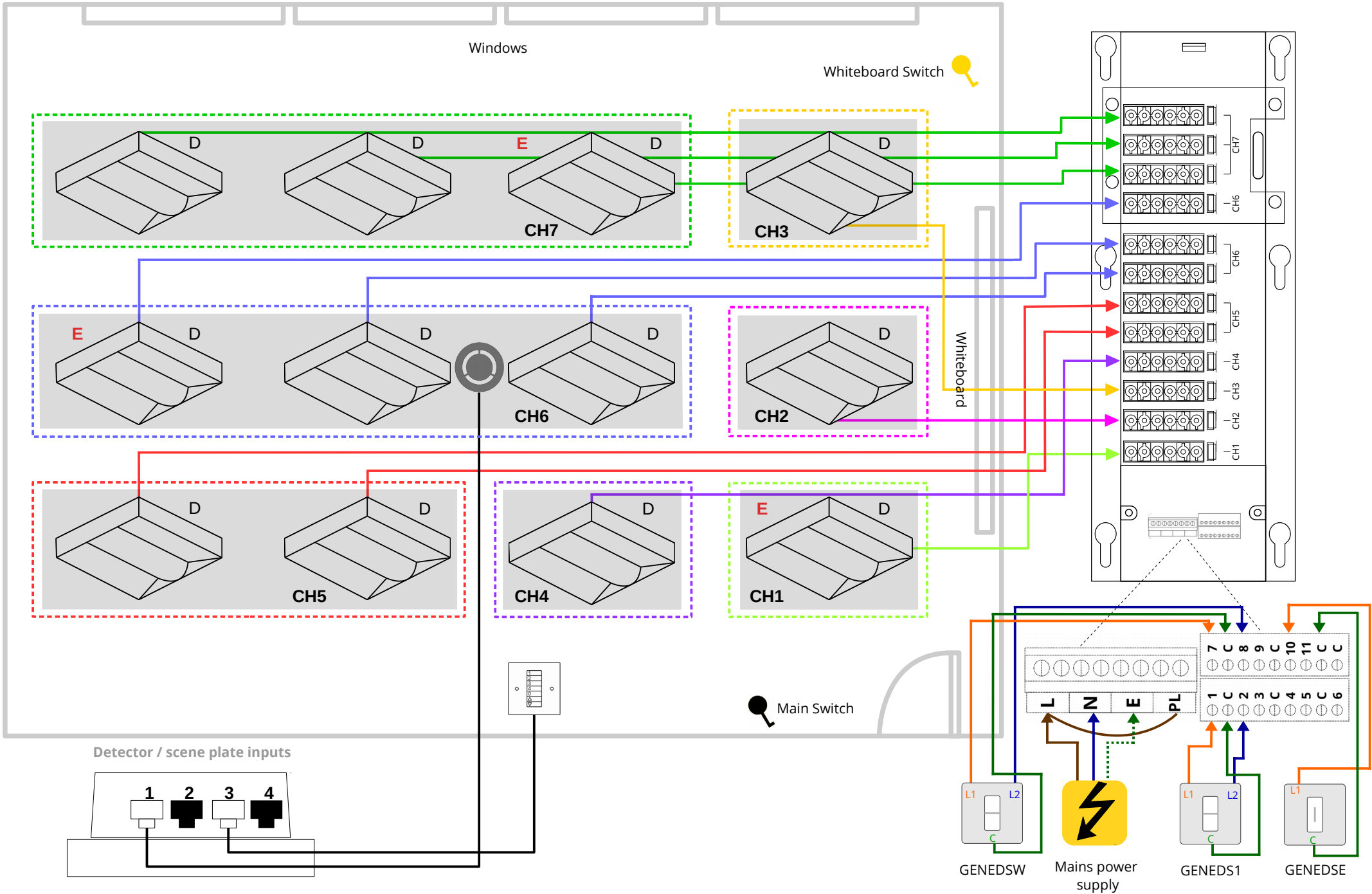
Apollo luminaires should be installed by a qualified electrician. These notes are intended as a reminder and check list to help the installer, and should be read in conjunction with the appropriate wiring regulations. They are not a set of instructions for unqualified persons. Before starting to install or work on this luminaire, ensure that the mains supply is isolated. Testing of installation resistance must be carried out in accordance with the IET wiring regulations. To avoid potential damage to control gear, supply must be disconnected before checking installation resistance. Where it is not reasonably practicable to disconnect such equipment, the test voltage for the particular circuit maybe reduced to 250V d.c.

220-240V / 50Hz

ta -10°C to 35°C



Example layout of the **genius** Education System. Please refer to the **genius** Configuration Guide for specific requirements.



## Positioning and Fixing the LCM

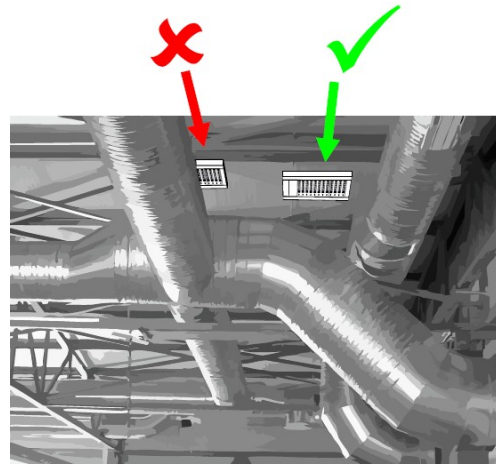
The **genius** Education Lighting Control Module (LCM) is designed to be ceiling mounted.

Install the LCM as shown on a smooth, flat surface via the four M6 keyways. You can also mount on drop rods or use the optional track fixings.

Ensure that there is easy access to the wiring compartment and all connectors once the LCM is fixed in place.

Allow 170mm for total height of installed LCM including connectors and cables.

The LCM will need to be programmed via an infra-red handset so ensure that the LCM is facing downwards and is clear of obstructions so that they are accessible and visible

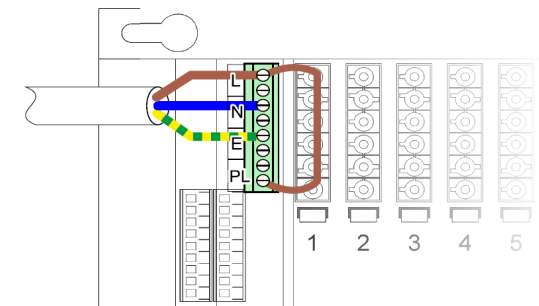


2

## Power Connections

Please ensure you connect the live terminal **L** to maintained live **PL**

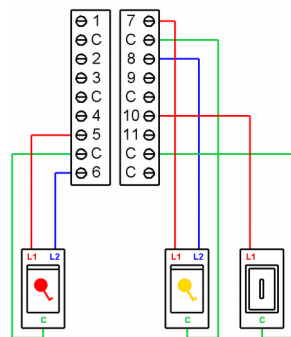
Letter	Colour	Description
<b>L</b>	Brown	Live / Phase
<b>B</b>	Blue	Neutral
<b>E</b>	Green / Yellow	Earth / Ground
<b>PL</b>	Brown or Black	Permanent live



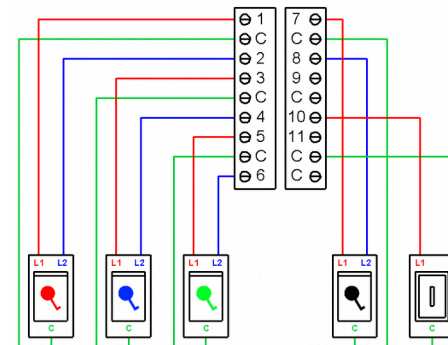
3

## Switch Connections

The LCM has 18 switch connections in the wiring compartment. The length of the cable between switches and LCMs should be no more than 40 metres. For details on how to connect the switches please refer to the **genius** Education Configuration Guide.



Example 1



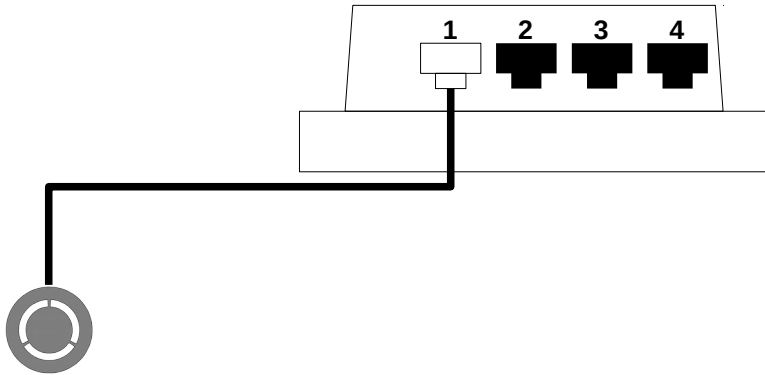
Example 2

4

## Detector Connections

The **genius** Education ASENS-C6MW-PRO detector comes complete with a 10 metre RJ45 cable which allows simple plug-and-play installation.

You **must** connect the ASENS-C6MW-PRO detector **before** programming the LCM.



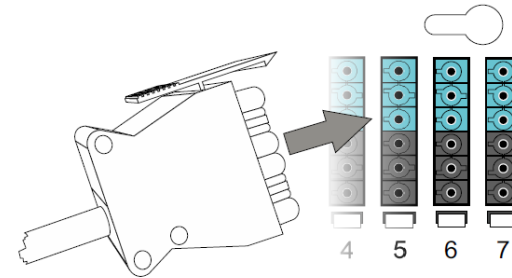
5

## Luminaire Connections

The **genius** Education luminaires come complete with an 8 metre plug (can be cut down if required) which allows simple plug-and-play installation.

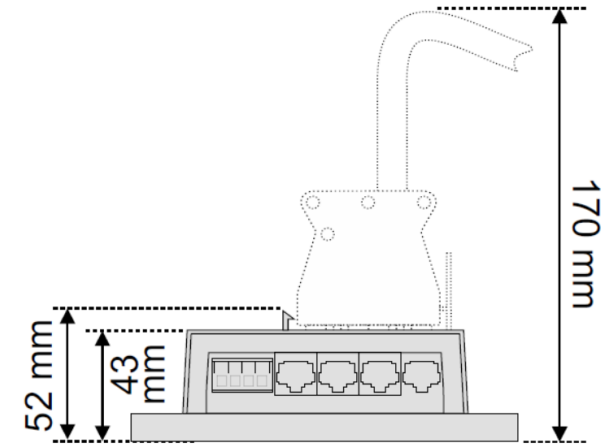
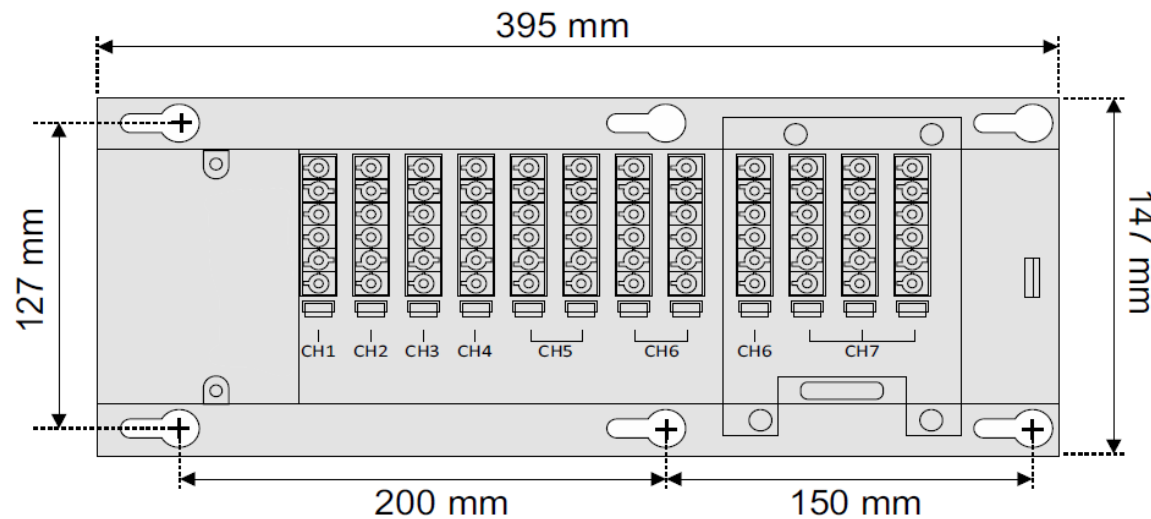
Plug in the luminaires ensuring that the connector latches to the LCM and is securely retained.

For details on how to connect the switches please refer to the **genius** Education Configuration Guide.



6

## Dimensions



7



T: +44 (0)113 240 5511  
F: +44 (0)113 240 5151

W: [www.apollolighting.co.uk](http://www.apollolighting.co.uk)  
[sales@apollolighting.co.uk](mailto:sales@apollolighting.co.uk)  
[technical@apollolighting.co.uk](mailto:technical@apollolighting.co.uk)

Apollo Lighting Ltd  
Unit D9  
Cross Green Approach  
Leeds  
LS9 0SG  
United Kingdom

Apollo Lighting Ltd is registered in England and Wales, No. 1518386 and is VAT registered, No. 417911845